

BIC® LIGHTERS AND CASES

LIGHTERS

BIC® J25 Lighter	196
BIC® J23 Lighter	200
BIC® J26 Lighter	204
BIC® J38 Lighter	208

LIGHTER CASES

BIC® Styl'it Luxury Case	212
BIC® Aluminium Flat Case	214
BIC® Clip Case	215
BIC® 3D Case	216

OTHER PRODUCTS

BIC® Pocket Ashtray	218
---------------------	-----



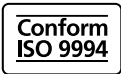
BIC® lighters.

Our quality, your safety.

All BIC® pocket lighters meet or exceed international standards and regulations requirements (ISO 9994, EN 13869, ASTM F400, US CPSC).

1/3 Less than 1/3 of the lighter models available in the European market MEET European safety standards¹.

3% Only 3% of the electronic lighter models available in Europe COMPLY with the EN 13869 Standard².



Flame height, resistance to drops, flame stability and flame extinction are some of the features tested by the ISO 9994 standard.

¹Source: Tests run by independent accredited laboratories from 2015 to 2018.



The EN 13869 Standard requires all pocket lighters sold within the EU to be effectively child-resistant throughout the life of the lighter.

²Source: SGS tests on 105 piezo models with vertical movement between April 2017 and June 2018.

A Child-resistant lighter is not a child proof lighter.

A Child-resistant lighter is a lighter that at least 85% of children under 51 months of age cannot operate. This means that up to 15% of children may still be able to operate such a lighter. Therefore, adults should always ensure that young children cannot get hold of lighters, even if they are Child-resistant.

CHOOSE WISELY! BIC® Pocket Lighters



BIC® J25 Digital lighter

UP TO 1450



BIC® J23 Digital lighter

UP TO 1800



BIC® J26 Digital lighter

UP TO 3000



BIC® J38 Digital lighter

UP TO 1800





BIC® LIGHTERS

The iconic, well-loved and time-honoured shapes of BIC® pocket lighters remain on trend!
Four different sizes and a wide range of colour combinations.

BIC® J25 Lighter

BIC® J23 Lighter

BIC® J26 Lighter

BIC® J38 Lighter

BIC® Styl'it Luxury Case

BIC® Aluminium Flat Case

BIC® Clip Case

BIC® 3D Case

BIC® Pocket Ashtray

BIC® J25 LIGHTER



Iconic BIC® Boy
and BIC® logo
engraved!

BIC® J25 LIGHTER

2360

2364 All Black



01 57 57 8G 03 11



59 24 04 25 25 06



90 84* 02 02 02 02

100%

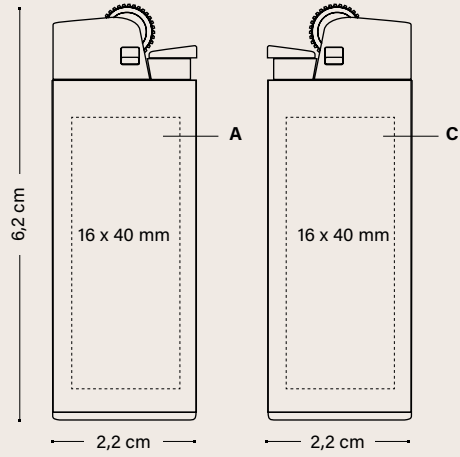
Decoration

BIC® J25 LIGHTER

2360/2364

A/C SP: max. 4 col.

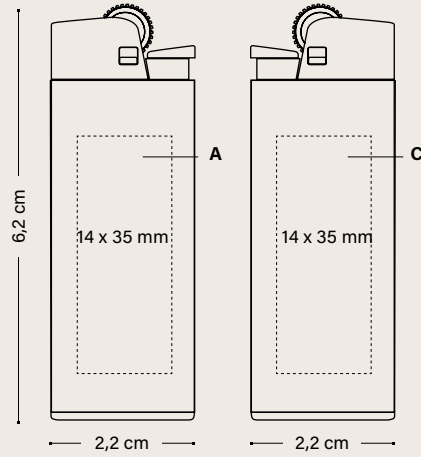
MOQ 300 units



BIC® J25 LIGHTER BRIPEPIX™

2360 / 2364

A/C BP: full-colour



PACKAGING



STANDARD PACKAGING:
IN TRAY OF 50 UNITS

100% recycled!



EXTERNAL PACKAGING



600 ± 7,6 KG



FSC AND
RECYCLABLE
CARDBOARD

SPECIFICATIONS



MANUFACTURED
AND PRINTED
IN BIC FACTORIES



MADE
IN SPAIN



PASTEL
MADE IN FRANCE



REGULATORY COMPLIANCE



UP TO 1.450



100% OF ELECTRICITY
PRODUCED USING
RENEWABLE SOURCES



LOW ENVIRONMENTAL
IMPACT

**PRINTING
TECHNIQUES**



SCREEN PRINTING



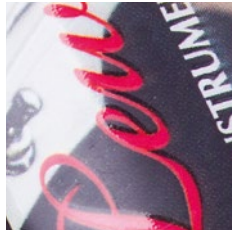
BRIPEPIX™

See page 233 for a detailed explanation of the icons.

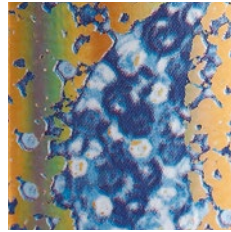
FINISHES



BR BRILLIANT



MT MATT



H HOLOGRAPHIC



P PUFFY



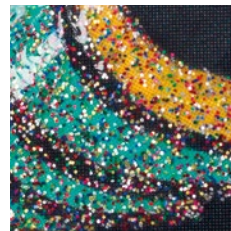
M METALLIC



UV UV



SA SANDY



PG PUFFY GLITTER

BIC® J25 DIGITAL LIGHTER
2360



MT MATT
P PUFFY



BR BRILLIANT
P PUFFY



MT MATT
M METALLIC

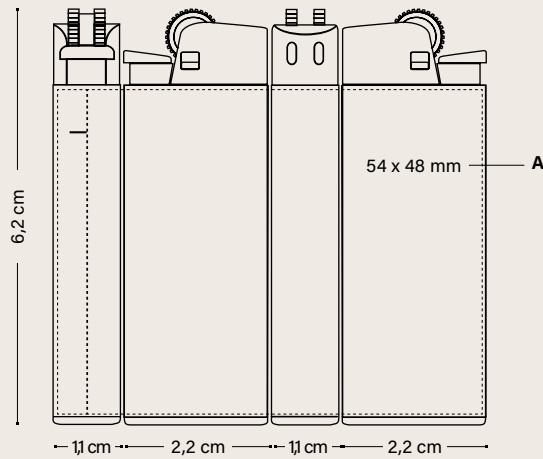
Decoration

BIC® J25 DIGITAL LIGHTER

2360

A DG: full-colour

MOQ 600 units



SPECIFICATIONS



MANUFACTURED AND PRINTED IN BIC FACTORIES



MADE IN SPAIN



REGULATORY COMPLIANCE



UP TO 1.450



100% OF ELECTRICITY PRODUCED USING RENEWABLE SOURCES



LOW ENVIRONMENTAL IMPACT

PRINTING TECHNIQUES



DIGITAL

PACKAGING



STANDARD PACKAGING: IN TRAY OF 50 UNITS

100% recycled!

EXTERNAL PACKAGING



600 ± 7,6 KG



FSC AND RECYCLABLE CARDBOARD

BIC® J23 LIGHTER

 Iconic BIC® Boy
and BIC® logo
engraved!

BIC® J23 LIGHTER
2340



57



12



03



10

*Slim and fits
everywhere!*



05



04



25



02

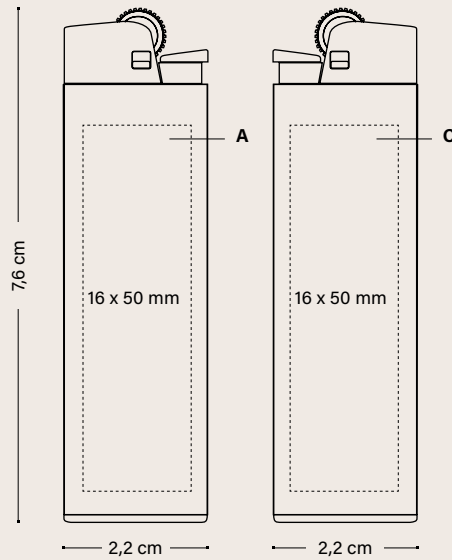
Decoration

BIC® J23 LIGHTER

2340

A/C SP: max. 4 col.

MOQ 300 units



PACKAGING



STANDARD PACKAGING:
IN TRAY OF 50 UNITS

100% recycled!

EXTERNAL PACKAGING



600 ± 9,5 KG



FSC AND
RECYCLABLE
CARDBOARD

SPECIFICATIONS



MANUFACTURED
AND PRINTED
IN BIC FACTORIES

FABRIQUÉ
EN FRANCE 
MADE IN FRANCE



REGULATORY
COMPLIANCE



UP TO 1.800



IMPRIM'VERT®



LOW ENVIRONMENTAL
IMPACT

**PRINTING
TECHNIQUES**



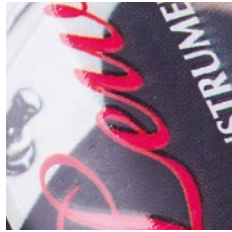
SCREEN PRINTING

See page 233 for a detailed explanation of the icons.

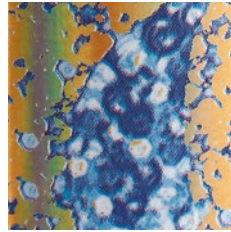
FINISHES



BR BRILLIANT



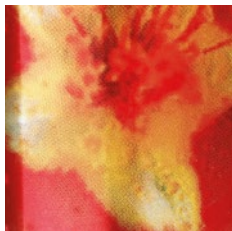
MT MATT



H HOLOGRAPHIC



P PUFFY



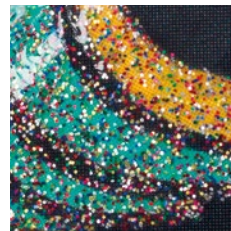
M METALLIC



UV UV



SA SANDY



PG PUFFY GLITTER

BIC® J23 DIGITAL LIGHTER 2340



MT MATT



MT MATT

P PUFFY

M METALLIC

UV UV



BR BRILLIANT

P PUFFY

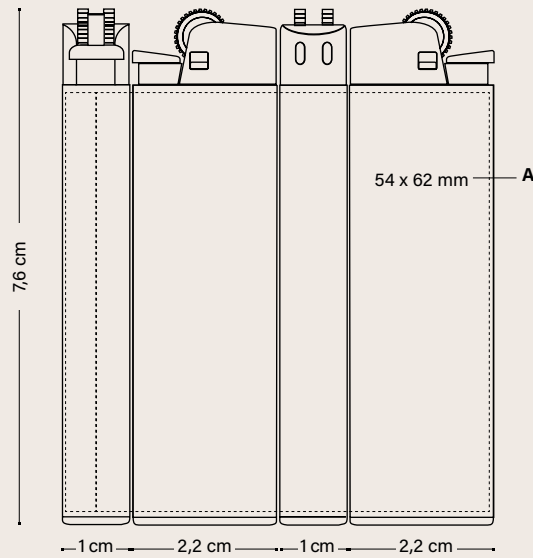
Decoration

BIC® J23 DIGITAL LIGHTER

2340

A DG: full-colour

MOQ 600 units



SPECIFICATIONS



REGULATORY COMPLIANCE



UP TO 1.800



LOW ENVIRONMENTAL IMPACT

PRINTING TECHNIQUES



DIGITAL

PACKAGING



STANDARD PACKAGING:
IN TRAY OF 50 UNITS

100% recycled!

EXTERNAL PACKAGING



600 ± 9,5 KG



FSC AND
RECYCLABLE
CARDBOARD

*48h not available in Digital finishes.

BIC® J26 LIGHTER

 Iconic BIC® Boy
and BIC® logo
engraved!

BIC® J26 LIGHTER
2320



01



57



8G

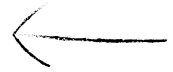


10



06

*Extra long-
lasting: up to
3.000 lights!*



59



24



25



02



03

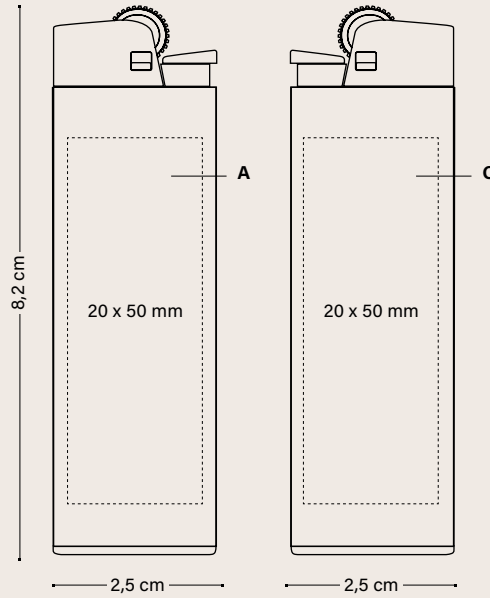
Decoration

BIC® J26 LIGHTER

2320

A/C SP: max. 4 col.

MOQ 300 units



SPECIFICATIONS



MANUFACTURED AND PRINTED IN BIC FACTORIES



MADE IN SPAIN



REGULATORY COMPLIANCE



UP TO 3.000



Conform ISO 9994



Conform EN 13869 85%



IMPRIM'VERT®



100% OF ELECTRICITY PRODUCED USING RENEWABLE SOURCES



LOW ENVIRONMENTAL IMPACT

PRINTING TECHNIQUES



SCREEN PRINTING

PACKAGING



STANDARD PACKAGING: IN TRAY OF 50 UNITS

100% recycled!

EXTERNAL PACKAGING



600 ± 15,1 KG



FSC AND RECYCLABLE CARDBOARD

See page 233 for a detailed explanation of the icons.

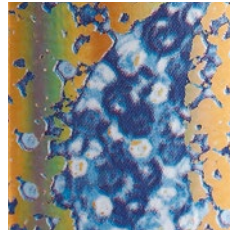
FINISHES



BR BRILLIANT



MT MATT



H HOLOGRAPHIC



P PUFFY



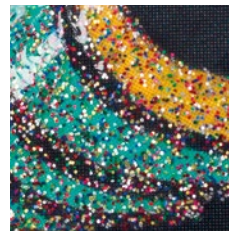
M METALLIC



UV UV



SA SANDY



PG PUFFY GLITTER

BIC® J26 DIGITAL LIGHTER
2320



BR BRILLIANT

M METALLIC



MT MATT

M METALLIC

P PUFFY



BR BRILLIANT

UV UV

H HOLOGRAPHIC

360° Printing

100%

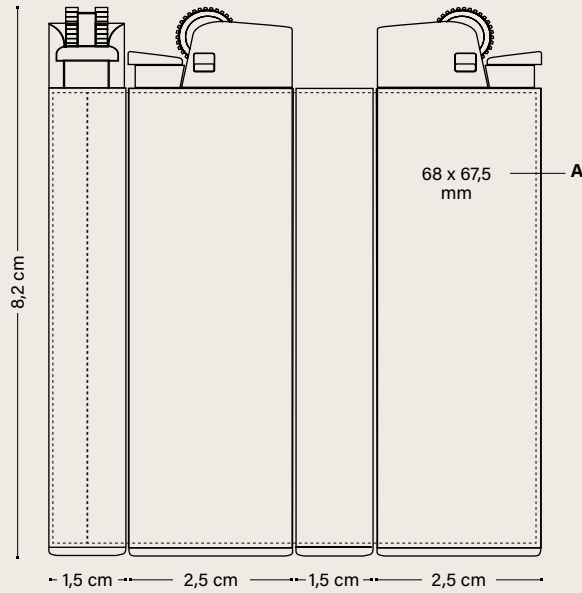
Decoration

BIC® J26 DIGITAL LIGHTER

2320

A DG: full-colour

MOQ 600 units



SPECIFICATIONS



MANUFACTURED AND PRINTED IN BIC FACTORIES



MADE IN SPAIN



REGULATORY COMPLIANCE



UP TO 3.000



100% OF ELECTRICITY PRODUCED USING RENEWABLE SOURCES



LOW ENVIRONMENTAL IMPACT

PRINTING TECHNIQUES



DIGITAL

PACKAGING



STANDARD PACKAGING: IN TRAY OF 50 UNITS

100% recycled!

EXTERNAL PACKAGING



600 ± 15,1 KG



FSC AND RECYCLABLE CARDBOARD

See page 233 for a detailed explanation of the icons.

BIC® J38 LIGHTER

 *Iconic BIC® Boy
and BIC® logo
engraved!*

BIC® J38 LIGHTER
2452



57



25

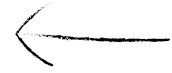


02



03

100%



*Elegant and
comfortable
lighting!*

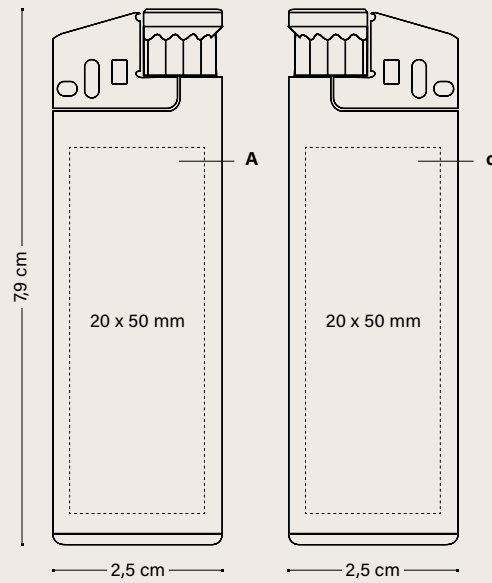
Decoration

BIC® J38 LIGHTER

2452

A/C SP: max. 4 col.

MOQ 300 units



SPECIFICATIONS



MANUFACTURED AND PRINTED IN BIC FACTORIES



MADE IN SPAIN



REGULATORY COMPLIANCE



UP TO 1.800



IMPRIM'VERT®



100% OF ELECTRICITY PRODUCED USING RENEWABLE SOURCES



LOW ENVIRONMENTAL IMPACT

PRINTING TECHNIQUES



SCREEN PRINTING

PACKAGING



STANDARD PACKAGING: IN TRAY OF 50 UNITS

100% recycled!

EXTERNAL PACKAGING



600 ± 13,2 KG



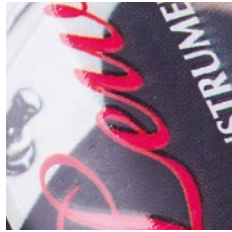
FSC AND RECYCLABLE CARDBOARD

See page 233 for a detailed explanation of the icons.

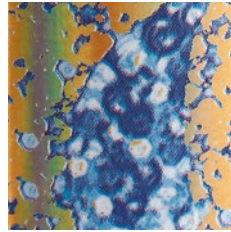
FINISHES



BR BRILLIANT



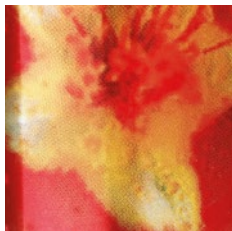
MT MATT



H HOLOGRAPHIC



P PUFFY



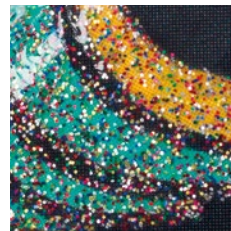
M METALLIC



UV UV

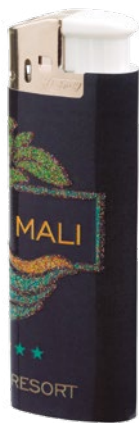


SA SANDY



PG PUFFY GLITTER

BIC® J38 DIGITAL LIGHTER
2452



57

BR BRILLIANT

PG PUFFY GLITTER



57

BR BRILLIANT

SA SANDY



57

BR BRILLIANT

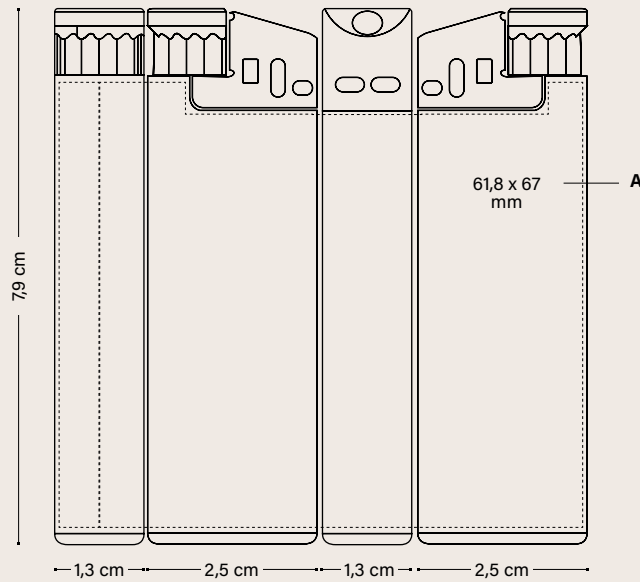
Decoration

BIC® J38 DIGITAL LIGHTER

2452

A DG: full-colour

MOQ 600 units



SPECIFICATIONS



MANUFACTURED AND PRINTED IN BIC FACTORIES



MADE IN SPAIN



REGULATORY COMPLIANCE



UP TO 1.800



100% OF ELECTRICITY PRODUCED USING RENEWABLE SOURCES



LOW ENVIRONMENTAL IMPACT

PRINTING TECHNIQUES



DIGITAL

PACKAGING



STANDARD PACKAGING: IN TRAY OF 50 UNITS

100% recycled!

EXTERNAL PACKAGING



600 ± 13,2 KG

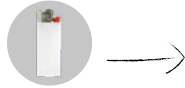


FSC AND RECYCLABLE CARDBOARD

See page 233 for a detailed explanation of the icons.

BIC® STYL'IT LUXURY CASE

BIC® STYL'IT LUXURY CASE 2386 Neon



All cases are delivered with a white BIC® J25 lighter!



59*



1G*



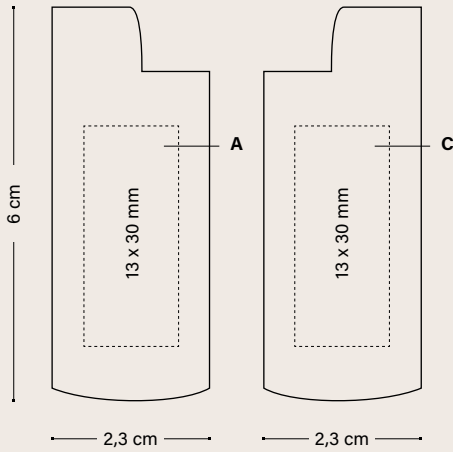
100%

5C*

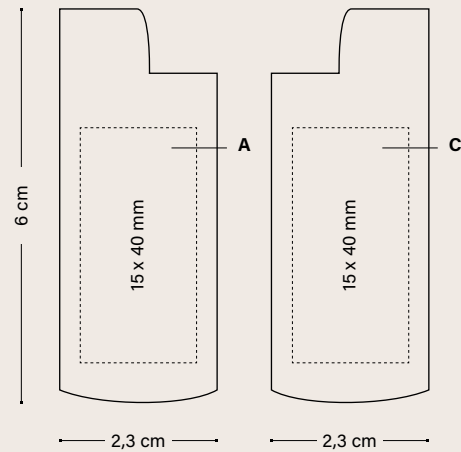
Decoration

BIC® STYL'IT LUXURY CASE 2386

MOQ 100 units
A/C LE



MOQ 100 units
A/C PD



PACKAGING



STANDARD PACKAGING:
BOX FOR 10 UNITS

EXTERNAL PACKAGING



300 ± 6,1 KG



FSC AND
RECYCLABLE
CARDBOARD

SPECIFICATIONS



PRINTED IN BIC
FACTORIES



REGULATORY
COMPLIANCE



Conform
ISO 9994



Conform
EN 13869
85%



IMPRIM'VERT®

PRINTING TECHNIQUES

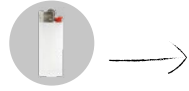


PAD PRINTING



LASER

BIC® STYL'IT LUXURY CASE
2153 Soft



All cases are delivered with a white BIC® J25 lighter!



47*

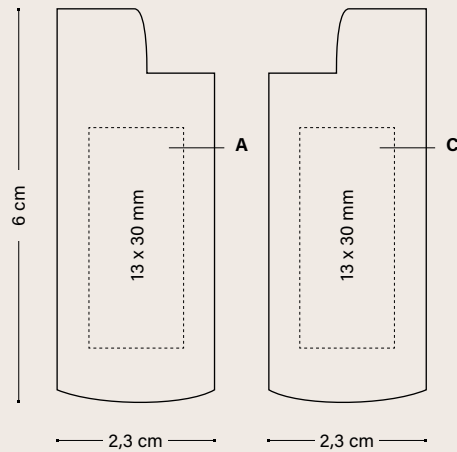
Decoration

BIC® STYL'IT LUXURY CASE

2153

A/C LE

MOQ 100 units



PACKAGING



STANDARD PACKAGING:
BOX FOR 10 UNITS

EXTERNAL PACKAGING



300 ± 6,1 KG



FSC AND
RECYCLABLE
CARDBOARD

SPECIFICATIONS



PRINTED IN BIC
FACTORIES



REGULATORY
COMPLIANCE



PRINTING TECHNIQUES



LASER

*While stocks last. See page 233 for a detailed explanation of the icons.

BIC® ALUMINIUM FLAT CASE

BIC® ALUMINIUM FLAT CASE 2156

3 customisable sides!

All cases are delivered with a white BIC® J25 lighter!



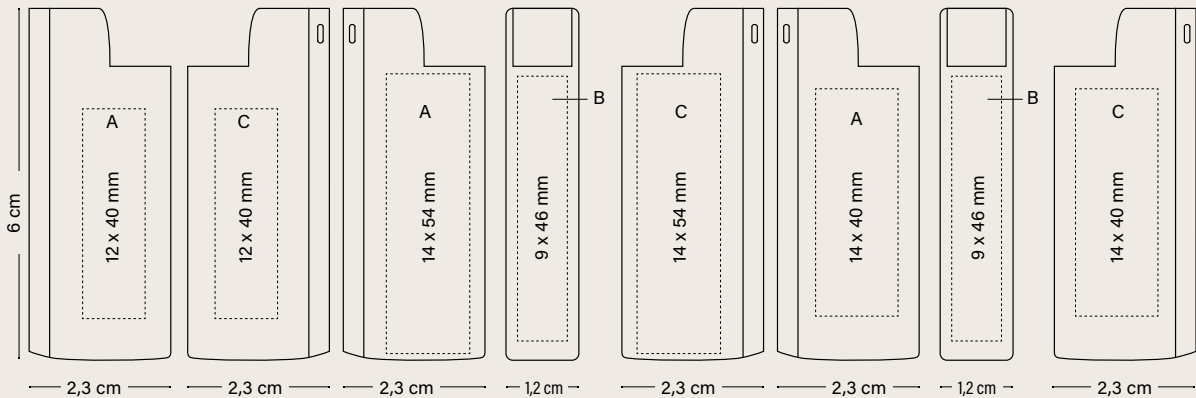
Decoration

BIC® ALUMINIUM FLAT CASE 2156

MOQ 100 units
A/C PD: max. 1 col.

MOQ 100 units
A/B/C BP: full-colour

MOQ 100 units
A/B/C LE



PACKAGING



STANDARD PACKAGING:
BOX FOR 50 UNITS

EXTERNAL PACKAGING



300 ± 6,9 KG



FSC AND
RECYCLABLE
CARDBOARD

SPECIFICATIONS



PRINTED IN
BIC FACTORIES



REGULATORY
COMPLIANCE



PRINTING TECHNIQUES



PAD PRINTING



LASER



BRITEPIX™
BRITEPIX™ PERSONALISATION

BIC® CLIP CASE 2398



All cases are delivered with a white BIC® J25 lighter!

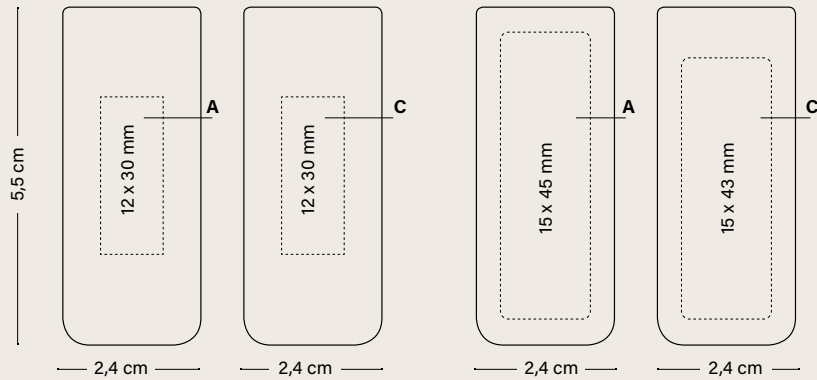


Decoration

BIC® CLIP CASE 2398

MOQ 100 units
A/C PD: max. 1 col.

MOQ 100 units
A/C BP: full-colour
BP Texture: full-colour



PACKAGING



STANDARD PACKAGING:
BOX FOR 50 UNITS

EXTERNAL PACKAGING



300 ± 7,5 KG



FSC AND
RECYCLABLE
CARDBOARD

SPECIFICATIONS



PRINTED IN
BIC FACTORIES



REGULATORY
COMPLIANCE



PRINTING TECHNIQUES



PAD PRINTING



BRITEPIX™
BRITEPIX™ PERSONALISATION

*While stocks last. See page 233 for a detailed explanation of the icons.

BIC® 3D CASE

BIC® 3D CASE
2395



All cases are delivered with a white BIC® J25 lighter!



Convert your logo into a 3D shape!

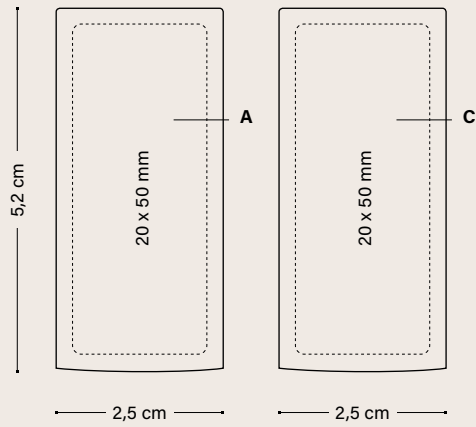
Decoration

BIC® 3D CASE

2395

A/C 3D: max. 6 col.

MOQ 1.200 units



PACKAGING



STANDARD PACKAGING:
BOX FOR 50 UNITS

EXTERNAL PACKAGING



300 ± 7,5 KG



FSC AND
RECYCLABLE
CARDBOARD

SPECIFICATIONS



REGULATORY
COMPLIANCE



**PRINTING
TECHNIQUES**



EMBOSSING

See page 233 for a detailed explanation of the icons.

BIC® POCKET ASHTRAY

BIC® POCKET ASHTRAY
3850

6 different flap shapes available!

Reusable and hermetic!

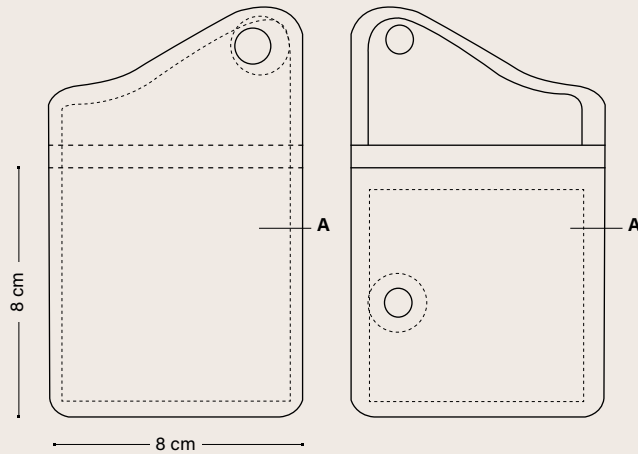


Decoration

BIC® POCKET ASHTRAY
3850

A SP: max. 5 col. (max. 2 col. for orders under 20.000 pcs.)

MOQ 5.000 units



PACKAGING



BOX FOR 10 UNITS EACH BIC® POCKET ASHTRAY COMES IN AN INDIVIDUAL CELLOPHANE PACKAGING

EXTERNAL PACKAGING



500 ± 5,5 KG

SPECIFICATIONS



REGULATORY COMPLIANCE

PRINTING TECHNIQUES



SCREEN PRINTING

BIC® POCKET ASHTRAY
3851 Kraft

Environmentally friendly image




100%

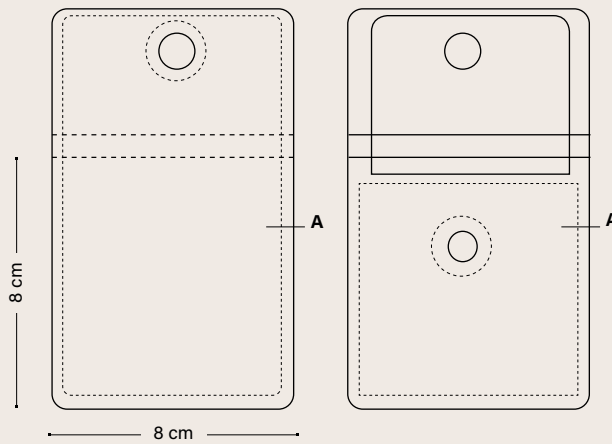
Decoration

BIC® POCKET ASHTRAY KRAFT

3851 Kraft

A SP: max. 2 col.

MOQ 10.000 units



PACKAGING



BOX FOR 10 UNITS EACH BIC® POCKET ASHTRAY COMES IN AN INDIVIDUAL CELLOPHANE PACKAGING.

EXTERNAL PACKAGING



500 ± 5,5 KG

SPECIFICATIONS



REGULATORY COMPLIANCE

PRINTING TECHNIQUES



SCREEN PRINTING